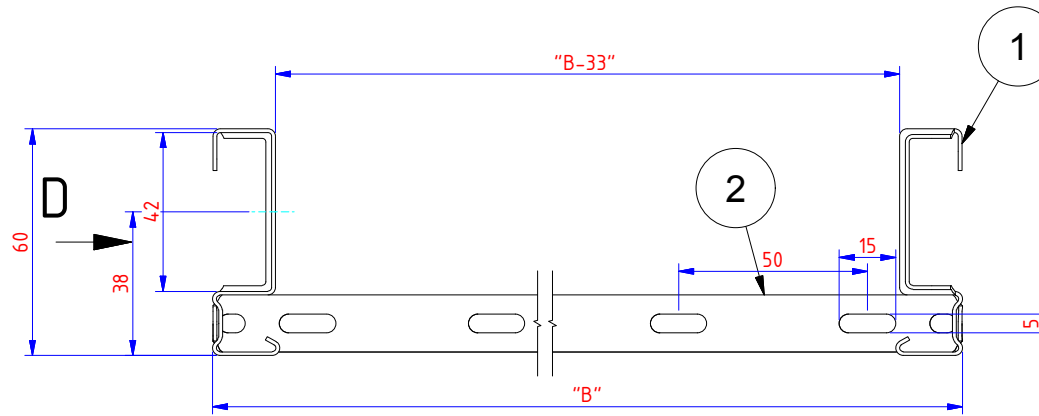
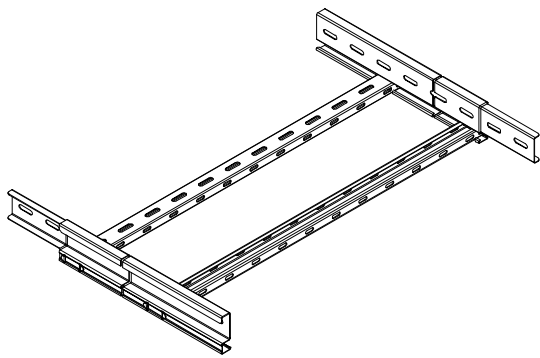


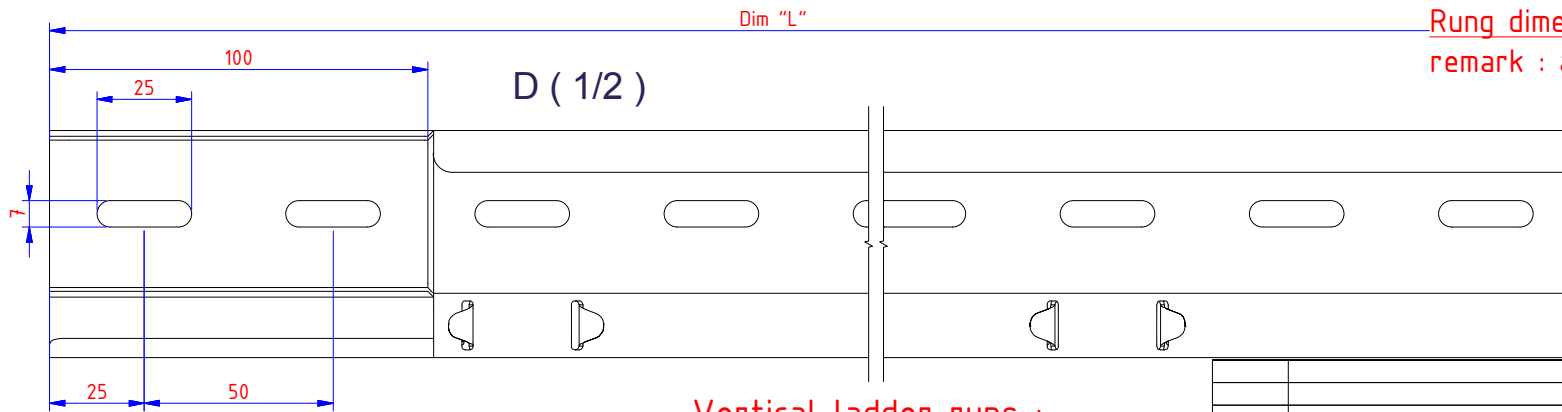
1	2	45774	[1ZKKLLI60]	Zijkant KLLI60
2	--	45778	[1SPORTKLL--]	Sport KLL--
item	qty	drawing	reference	description

Parts list

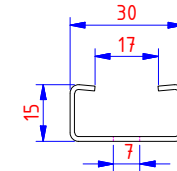


KLLI 60x---x-	
type	DIM "B"
KLLI60.150	150
KLLI60.200	200
KLLI60.300	300
KLLI60.400	400
KLLI60.500	500
KLLI60.600	600
KLLI60.800	800
KLLI60.1000	1000

Length table	
Type	Dim "L"
KLLI60.---	3000
KLLI60.---.6	6000



Rung dimensions :
remark : alternately opening above and below



Vertical ladder runs :
Load per rung for length 600 mm :
- uniformly distributed : 1200 N
- pointload in middle : 600 N

Material table

Ladder type	Material
KLLI60.---	pre-galvanized steel
14KLLI60.---	inox 304
16KLLI60.---	inox 316

NOT FOR PRODUCTION

Number	Edition	Description of the modification	Date	By
B		rung tickness 1.25 mm for all ladder width (PSC 28/04/2015)	28/04/2015	LA
2	A	rung tickness 1.25 from width 600 and higher	03/07/2013	LA

Ref.	KLLI60.---,IN---KLLI60.---	Name	Cable ladder light interlocking [KLLI60.600]
Drawn	Luc Aelvoet		
Date	5/10/2011		
Material:	Tolerance:	Standard:	I.S.O. SYMBOL
1.0226 (DX51 Pregalva.)	-	-	

VERGOKAN

Meersbloem Melden 16
9700 Oudenaarde
Tel: 055/31.83.35
Fax: 055/31.43.88

Scale:	1/2	Adapt drawing exclusively with CAD	KL
DRAWING NUMBER	45767	FORM A4	P. 1 3 P.