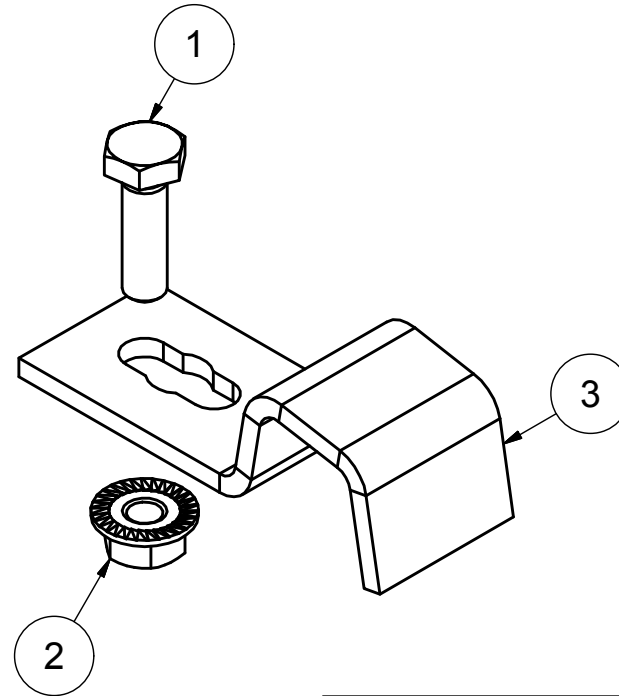
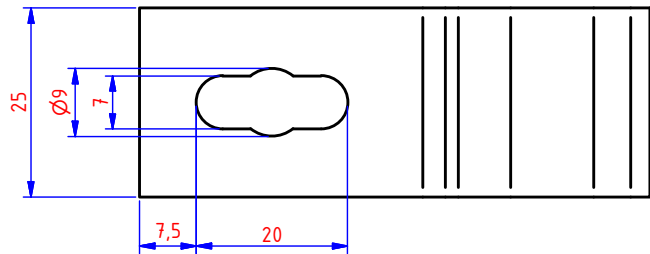
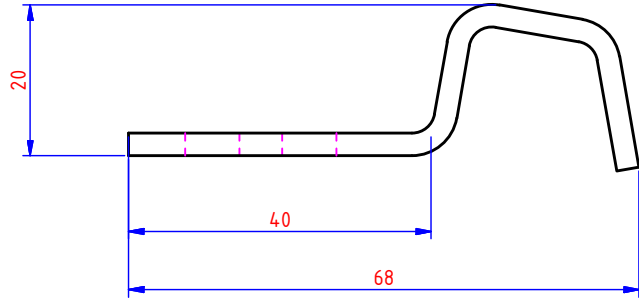


1	1	M6x20 (DIN 933)	[B6.20]	Bolt
2	1	RM 6	[RM6]	ZESKANT FLENSMOER M6
3	1	45749	[1KLMZWBK25]	Bevestigingsklem console
item	qty	drawing	reference	description

Parts list



**NOT FOR PRODUCTION**

Material table

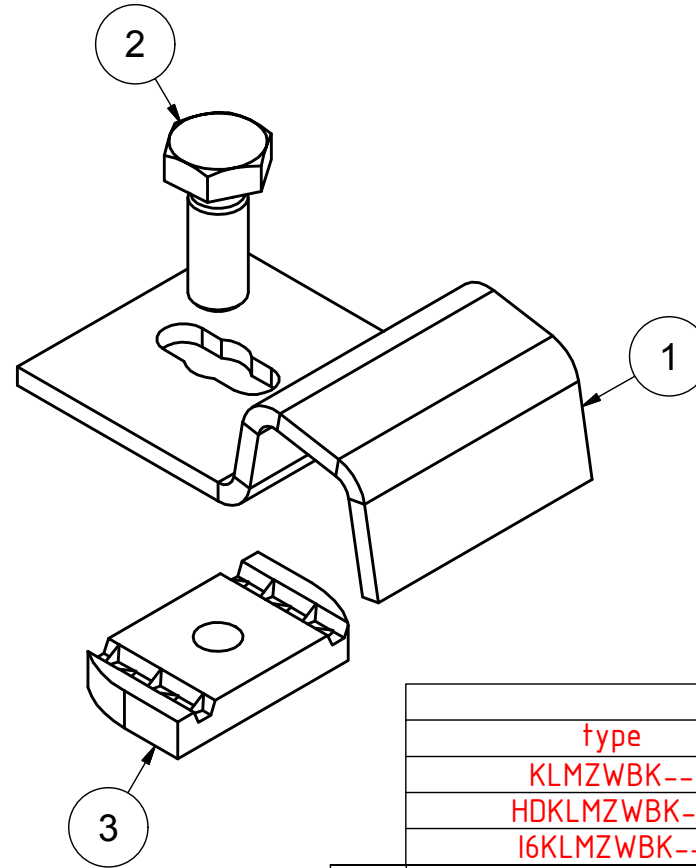
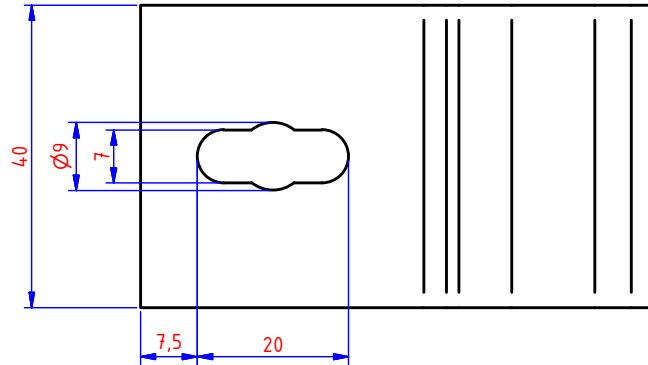
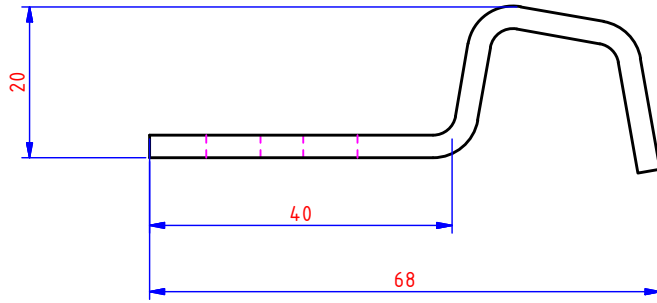
type	Material
KLMZWBK--	pre-galvanized steel
HDKLMZWBK--	Hot-Dip
I6KLMZWBK--	inox 316


Ref.	KLMZWBK--	Name	Bracket clamp for KLM/KLZ/KLW	
Drawn	aelvoelu		[KLMZWBK25]	
Date	21/01/2013			
Material:	Tolerance:	Standard:	I.S.O. SYMBOL	
1.0226 (DX51 Pregalva.)				

Number	Edition	Description of the modification	Date	By
			Scale:	Adapt drawing exclusively with CAD
Meersbloem Melden 16 9700 Oudenaarde			1 : 1	KL
Tel: 055/31.83.35 Fax: 055/31.43.88			DRAWING NUMBER	FORM
			45839	A4
				P. 1
				2 P.

2	1	M8x20 (DIN 933)	[B8.20]	Bolt
1	1	45749	[1KLMZWBK40]	Bevestigingsklem voor MP profielen
3	1	45638	[GM41M8]	Sliding nut for supporting profile
item	qty	drawing	reference	description

Parts list



**NOT FOR PRODUCTION**

Material table

type	Material
KLMZWBK--	pre-galvanized steel
HDKLMZWBK--	Hot-Dip
I6KLMZWBK--	inox 316


Ref.	KLMZWBK--	Name		
Drawn	aelvoelu	Bracket clamp for KLM/KLZ/KLW		
Date	21/01/2013	[KLMZWBK40]		
Material:	Tolerance:	Standard:	I.S.O. SYMBOL	
1.0226 (DX51 Pregalva.)				

Number	Edition	Description of the modification	Date	By
			Scale:	Adapt drawing exclusively with CAD
Meersbloem Melden 16 9700 Oudenaarde			1 : 1	KL
Tel: 055/31.83.35 Fax: 055/31.43.88			DRAWING NUMBER	FORM
			45839	A4
				P. 2
				2 P.