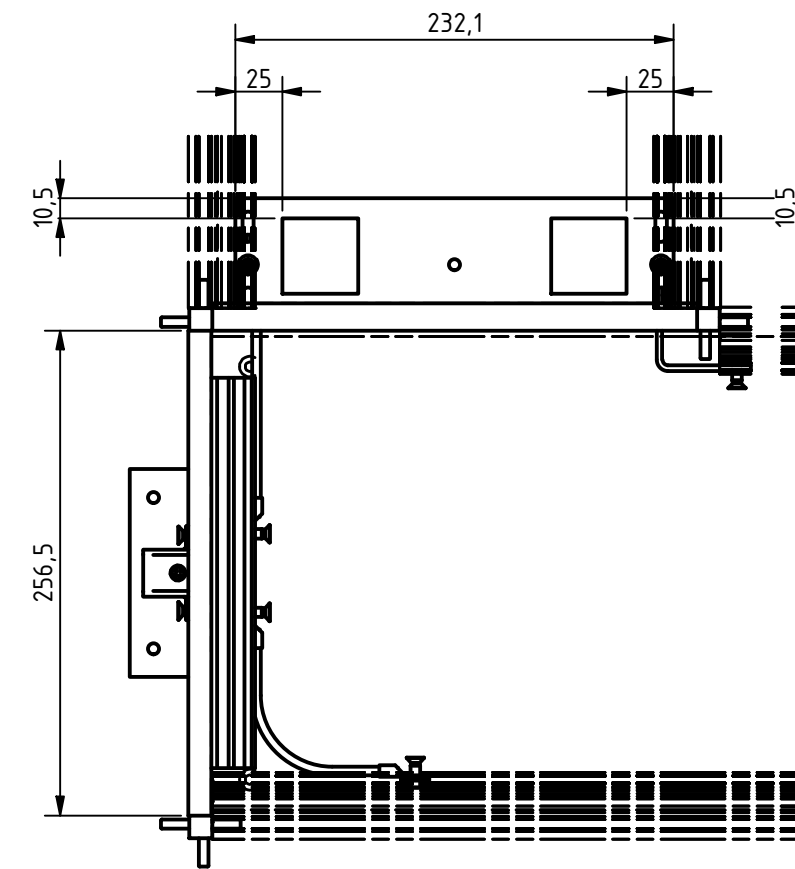
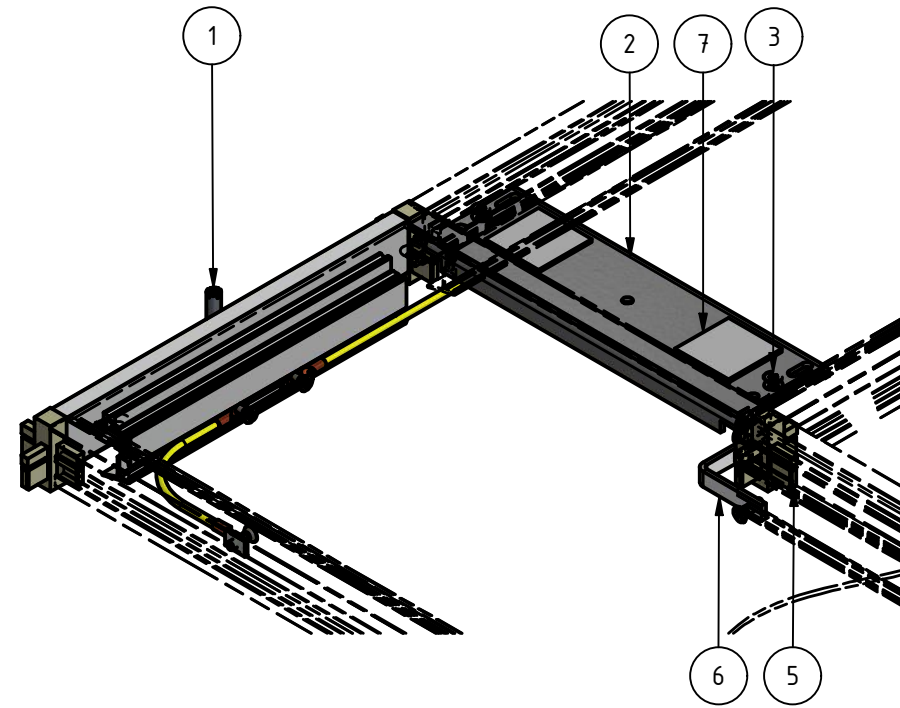


PARTS LIST			
ITEM	QTY	SUBJECT	DESCRIPTION
1	1	OVGE250.3	End part for flush floor trunking
2	1	10VGTRA250.3	Traverse voor hulpstukken OVG
3	2	3M6	Nut (DIN 934)
5	1	4OVGHV	Connection angle OVG PVC
6	1	OVGEQH	Earth conductor clamp for flush trunking
7	2	OVGVLT2	Damper OVG



VERGOKAN Meersbloem Melden 16 Tel: 055/31.83.35 9700 Oudenaarde Fax: 055/31.43.88	Number: 46225-A01	Revision: D	Material:
	Name: Bocht voor open vloerkanaal		Product ref.: OVGB250.3
	Drawn: pieperbe	Date: 21/09/2018	Category: Floor Installations
	Scale: 1 : 4	Format: A3	Sheet: 1 / 1

© This drawing is copyrighted, all rights reserved. This document may not, in whole or part, be copied, photocopied, translated or reduced to any electronic medium or machine readable form without prior consent, in writing, from Vergokan