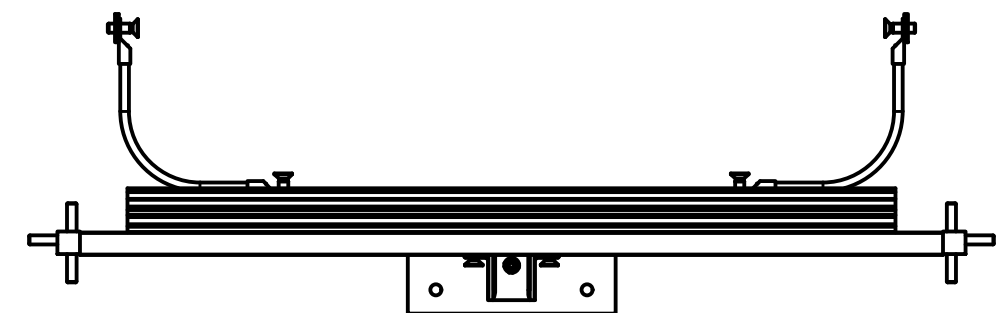
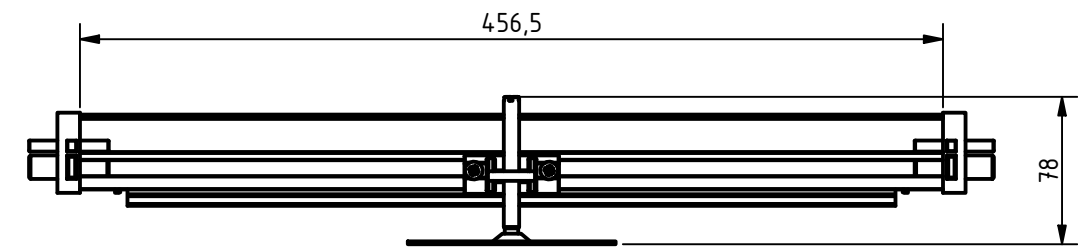
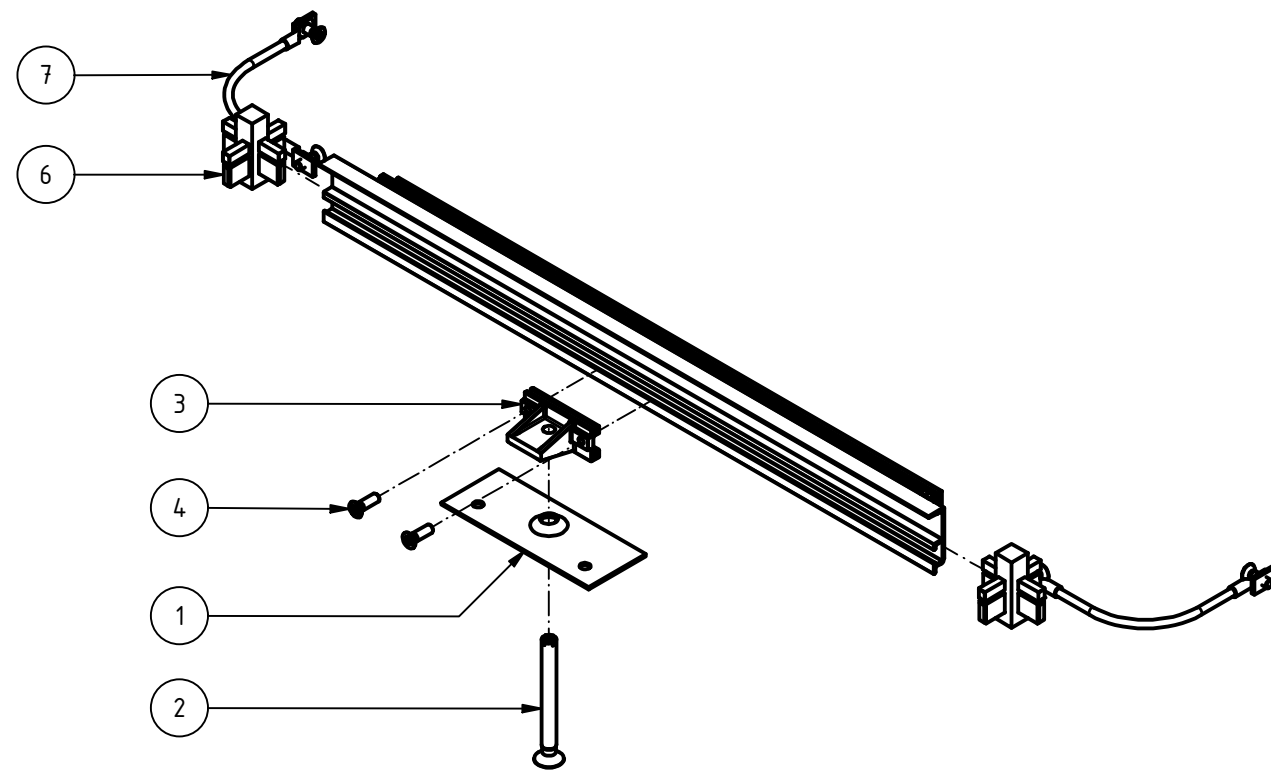


PARTS LIST		
ITEM	QTY	SUBJECT
1	1	10VGVPL
2	1	0VGN78
3	1	80VGN
4	2	3BZ5.16
5	1	80VGP4
6	2	40VGHV
7	2	0VGEQK6



VERGOKAN Meersbloem Melden 16 9700 Oudenaarde Tel: 055/31.83.35 Fax: 055/31.43.88	Number: 46118-A03	Revision: A	Material:
	Name: End part for flush floor trunking		
	Product ref.: OVGE450.4	Category: Floor Installations	
	Drawn: proddev	Date: 13/08/2018	Sheet: 1 / 1
	Scale: 1 : 4	Format: A3	
© This drawing is copyrighted, all rights reserved. This document may not, in whole or part, be copied, photocopied, translated or reduced to any electronic medium or machine readable form without prior consent, in writing, from Vergokan			