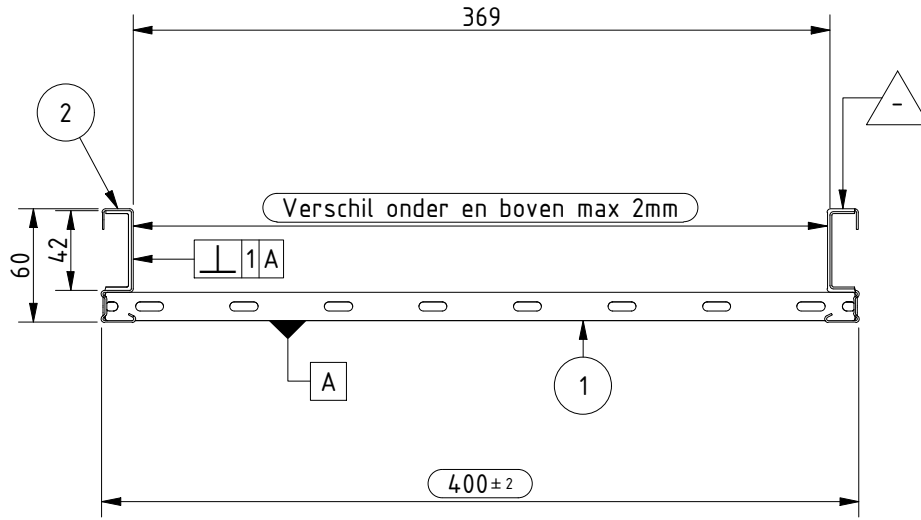


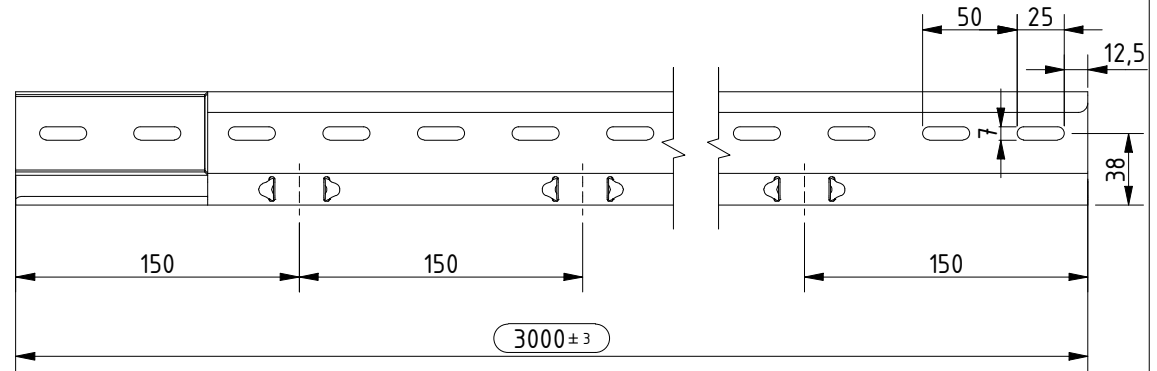
Tolerances :

Dimensions related to roll forming according EN 10162.

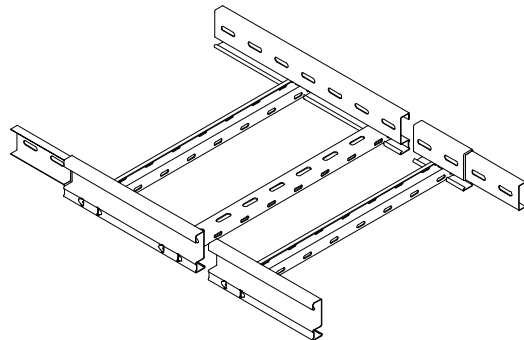
Other dimensions according ISO 2768 medium



PARTS LIST					
ITEM	QTY	PRODUCT REF.	DESCRIPTION	NUMBER	REV.
1	19	--KLLSPORT400	Sport KLL400 Geplooid	45778-004	B
2	2	--ZKKLLIBS60	Side KLLIBS60	45921-001	B



VIEW 4 (1 : 10)



Tolerance table according to ISO 2768-1 medium

Nominal Dimension	0.5 to 6	above 6 to 30	above 30 to 120	above 120 to 400	above 400 to 1000	above 1000 to 2000	above 2000 to 4000
Tolerance	+/- 0.1	+/- 0.2	+/- 0.3	+/- 0.5	+/- 0.8	+/- 1.2	+/- 2.0

QUALITY APPROVED

-	Changed thickness of --ZKKLLIBS	6/05/2025	cgoethals
B	Orientation of rungs changed: start and end rungs with opening upwards	6/05/2025	Vannieto
A	Rung thickness 1.25mm instead of 1mm for all ladder width (PSC 28/04/2015)	28/04/2015	LA
VER	VERSION DESCRIPTION	DATE	DESIGNER
 Meersbloem-Melden 16 9700 Oudenaarde Tel: 055/31.83.35 www.atkore.com/vergokan	Prod. Ref.: --KLLIBS60.400	Number: 45922-A04	Ver. : C
	Descr.: KLLI60.400 Brandschutz	Designer: couseaph	
	Cat.: 07-Fire Resistance	Scale: 1 : 4	
	Material: See ERP	Weight: 9,258 kg	Format: A4

© This drawing is copyrighted, all rights reserved. This document may not, in whole or part, be copied, photocopied, translated or reduced to any electronic medium or machine readable form without prior consent, in writing, from Vergokan